



Toray Composite Materials America, Inc.

## AEROSPACE PREPREG SELECTOR GUIDE

### MARKETS

	COMMERCIAL	GENERAL AVIATION	SPACE	ROTORCRAFT	MILITARY & DEFENSE	UAV/UAS
2510		●	●			●
2511	●	●	●			●
2700		●	●	●	●	●
3900	●		●	●	●	●
3960	●		●	●	●	●

### FEATURES AND BENEFITS

	PROCESSING DATABASE	HIGH Tg ≤180 USE TEMP	HIGH Tg ≤250 USE TEMP	LOW VOID CONTENT	EXCELLENT IMPACT RESISTANCE	SEMI-TOUGHENED	HIGHLY-TOUGHENED	FLEXIBLE CURE OPTIONS
2510	■	●				●		●
2511	■	●		●	●	●		●
2700		●		●	●	●		●
3900	■		●	●	●		●	●
3960	■		●	●	●		●	●

■ : RAVEN and COMPRO 2D processing database

### APPLICATIONS

	AUTOCLAVE	OUT OF AUTOCLAVE	PRESS MOLDING	HAND LAYUP	AUTOMATED FIBER PLACEMENT*	PRIMARY STRUCTURES	THICK PARTS
2510	●	●	●	●		●	●
2511		●	●	●		●	●
2700	●	●	●	●	●	●	●
3900	●		●	●	●	●	●
3960	●	●	●	●	●	●	●

\*Tape spools tailorable per customer requirements (spool diameter, traverse length, winding taper, etc.)

For more information or purchasing inquiries:

sales@toraycma.com | www.toraycma.com | 253-846-1777

EPOXY PREPREG PROPERTIES

RESIN NAME	CURE TEMP. (°F)	MINIMUM CURE TIME (MINUTES)	Tg DRY (°F)	Tg WET (°F)	MECHANICAL LIFE AT 72°F (DAYS)	STORAGE LIFE ≤ 10°F (MONTHS)	FIBER TYPE	FIBER STYLE	WEAVE	ROLL WIDTH (INCHES)*	SPEC#	PART#
2510	270	120	294	267	28	24	Carbon	T700G-12K	UD	39,36,24,12,6	3960+	P707AG-15
							Carbon	T700S-12K	PW	38	3914+	F6273C-07M
							E- Glass	Style 7781	8HS	38	3915+	FGF7781-07I
2511	270	120	309	262	28	24	Carbon	T700G-12K	UD	39,36,24,12,6	-	P711AG-15
							Carbon	T700S-12K	PW	38	‡	F6273C-11M
							E- Glass	Style 7781	8HS	38	-	FGF7781-11I
2700	270	30	TBD	TBD	28	24	Carbon	T700S-12K	PW	38	-	Contact Sales
3900	350	120	400	330	10	24	Carbon	T800S-24K	UD	60, 36, 24, 12, 6, 3, 0.5, 0.25, 0.125	6891/1‡	P2362W-19L
							Carbon	T830H-6K	PW	60, 38, 12, 9	6891/2‡	FM6673G-37KL
							Carbon	T400H-3K	PW	38	-	FJ6361F-30HT
							Carbon	T700G-12K	PW	38	-	F6273-30K
							Carbon	T300-3K	5HS	40	-	F6655B-30H
							E- Glass	Style 108	PW	39	6891/4‡	FGF108-29ML
							E- Glass	Style 7781	8HS	38	6891/3‡	FGF7781-29E
3960	350	120	385	330	40	24	Carbon	T1100G-24K	UD	60, 39,36,24,12,6, 0.5, 0.25, 0.125	NMS 397/1	P173EBN-19
							Carbon	T1100G-12K	UD	39,36,24,12,6, 0.5, 0.25	-	P173E0N-7
							Carbon	T1100G-12K	PW	60, 38, 12, 9	NMS 397/2	FT6243R-3EF

\*: Other widths available

†: AGATE B-basis allowable database <http://www.niar.wichita.edu/agate/Documents/default.htm>

‡: CMH-17 B-basis allowable database, approved Yellow Pages available upon request.

NCAMP NMS products in qualification testing, batch data available upon request.

For more information or purchasing inquiries:

sales@toraycma.com | www.toraycma.com | 253-846-1777

UNIT CONVERSIONS

RESIN NAME	FIBER TYPE	FIBER STYLE	WEAVE	BASE WIDTH (INCHES)	PART#	CONVERSION FACTORS						
						SQM	SQFT	LINEAR M	LINEAR FT	LINEAR YD	KG	LBS
2510	Carbon	T700G-12K	UD	39	P707AG-15	1	10.7639	1.0000	3.2808	1.0936	0.2308	0.5088
	Carbon	T700S-12K	PW	38	F6273C-07M	1	10.7639	1.0361	3.3991	1.1330	0.3328	0.7336
	Glass	7781-558	8HS	38	FGF7781-07I	1	10.7639	1.0361	3.3991	1.1330	0.4742	1.0454
2511	Carbon	T700G-12K	UD	39	P711AG-15	1	10.7639	1.0000	3.2308	1.0936	0.2308	0.5088
	Carbon	T700S-12K	PW	38	F6273C-11M	1	10.7639	1.0363	3.3998	1.1333	0.3328	0.7336
	Glass	FGF7781-11I	8HS	38	FGF7781-11I	1	10.7639	1.0267	3.3684	1.1228	0.4742	1.0454
2700	Carbon	T700S-12K	PW	38	Contact Sales	1	10.7639	1.0363	3.3998	1.1333	0.3328	0.7336
3900	Carbon	T800S-24K	UD	60	P2362W-19L	1	10.7639	0.6494	2.1404	0.7101	0.2961	0.6528
	Carbon	T830H-6K	PW	60	FM6673G-37KL	1	10.7639	0.6562	2.1528	0.7176	0.3267	0.7202
	Carbon	T400H-3K	PW	38	FJ6361F-30HT	1	10.7639	1.0363	3.3998	1.1333	0.3063	0.6754
	Carbon	T700G-12K	PW	38	F6273-30K	1	10.7639	1.0363	3.3998	1.1333	0.3217	0.7091
	Carbon	T300-3K	5HS	40	F6655B-30H	1	10.7639	0.9852	3.2324	1.0775	0.5460	1.2038
	Glass	108	PW	39	FGF108-29ML	1	10.7639	1.0101	3.3140	1.1047	0.0819	0.1805
	Glass	7781	8HS	38	FGF7781-29E	1	10.7639	1.0363	3.3998	1.1333	0.4455	0.982
3960	Carbon	T1100G-24K	UD	39	P173EBN-19	1	10.7639	1.0091	3.3106	1.1035	0.2887	0.6365
	Carbon	T1100G-12K	UD	39	P173E0N-7	1	10.7639	1.0091	3.3106	1.1035	0.1167	0.2572
	Carbon	T1100G-12K	PW	38	FT62YER-3EF	1	10.7639	1.0363	3.3998	1.1333	0.3015	0.6648

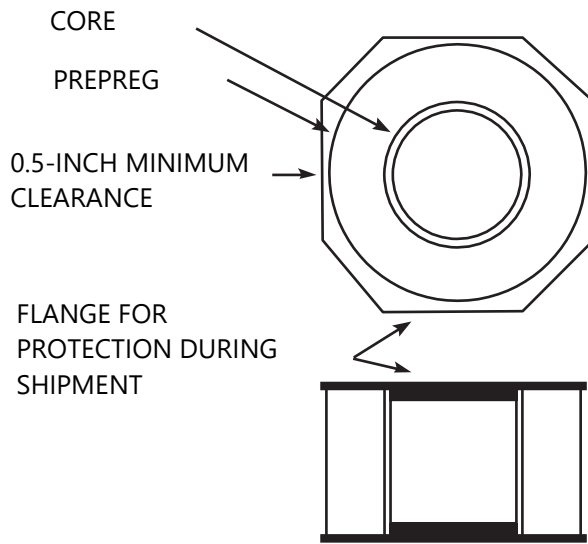
For more information or purchasing inquiries:  
[sales@toraycma.com](mailto:sales@toraycma.com) | [www.toraycma.com](http://www.toraycma.com) | 253-846-1777

*The data listed herein are lot averages and for reference purposes only. The results are not intended for specification purposes. These commodities, technology or software were exported from the United States in accordance with the Export Administration Regulations. Diversion contrary to U.S. law is prohibited.*

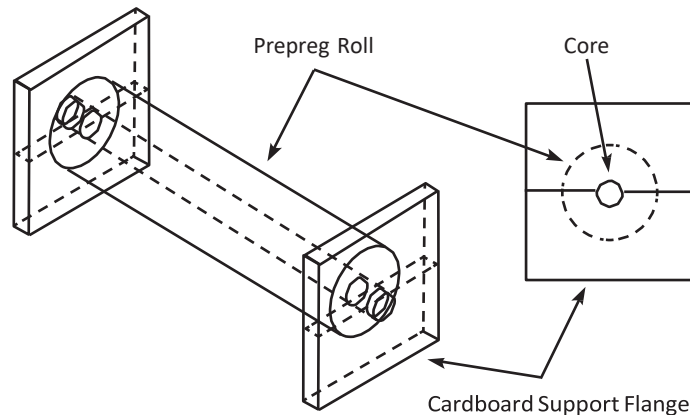
**PACKAGING GUIDE**

- Rolls are vacuum sealed in clean, non-contaminating, 0.006-inch minimum thickness polyethylene moisture-proof bags.
- Bags contain a desiccant in accordance with MIL-D-3464, Type II.
- A label is located inside the core, to the exterior of the prepreg shipping bag and outside the carton case.
- Attachment of the Purchase order No., date of shipment and copies of the defect log are included per customer requirements.

**PACKAGING CONFIGURATION FOR PRODUCTS 12 INCHES OR LESS IN WIDTH**



**PACKAGING CONFIGURATION FOR PRODUCTS GREATER THAN 12 INCHES IN WIDTH**



For more information or purchasing inquiries:

sales@toraycma.com | www.toraycma.com | 253-846-1777