



Toray Composite Materials America, Inc.

AEROSPACE PREPREG SELECTOR GUIDE

APPLICABLE MARKETS

	COMMERCIAL	GENERAL AVIATION	SPACE	ROTORCRAFT	MILITARY & DEFENSE	UAV/UAS
2510		●	●			●
2511	●	●	●			●
3900	●		●	●	●	●
3960	●		●	●	●	●

FEATURES & BENEFITS

	PROCESSING DATABASE	HIGH T _g	LOW VOID CONTENT	EXCELLENT IMPACT RESISTANCE	SEMI-TOUGHENED	HIGHLY-TOUGHENED	NO BLEED SYSTEM	FLEXIBLE CURE OPTIONS
2510	■	●						●
2511	■	●	●	●	●		●	●
3900	■	●	●	●		●	●	●
3960		●	●	●		●		●

■: RAVEN and COMPRO 2D processing database

APPLICATIONS

	AUTOCLAVE	OUT OF AUTOCLAVE	PRESS MOLDING	HAND LAYUP	AUTOMATED FIBER PLACEMENT*	PRIMARY STRUCTURES	THICK PARTS
2510	●	●		●		●	
2511		●	●	●		●	●
3900	●		●	●	●	●	●
3960	●			●	●	●	●

* Tape spools tailorable per customer requirements (spool diameter, traverse length, winding taper etc.).

For more information or purchasing inquiries:
sales@toraycma.com | www.toraycma.com | 253-846-1777

The data listed herein are lot averages and for reference purposes only. The results are not intended for specification purposes. These commodities, technology or software were exported from the United States in accordance with the Export Administration Regulations. Diversion contrary to U.S. law is prohibited.

Updated September 1, 2017

EPOXY PREPREG PROPERTIES

RESIN NAME	CURE TEMP. (°F)	MINIMUM CURE TIME (MINUTES)	Tg DRY (°F)	Tg WET (°F)	MECHANICAL LIFE AT 72°F (DAYS)	STORAGE LIFE ≤10°F (MONTHS)	FIBER TYPE	FIBER STYLE	WEAVE	ROLL WIDTH (INCHES)*	AMS SPEC#	PART#
2510	270	120	294	267	28	24	Carbon	T700G-12K	UD	39,36,24,12,6	3960†	P707AG-15
							Carbon	T700S-12K	PW	38	3914†	F6273C-07M
							Glass	7781-558	8HS	38	3915†	FGF7781-07I
2511	270	120	309	262	28	24	Carbon	T700G-12K	UD	39,36,24,12,6	‡	P711AG-15
							Carbon	T700S-12K	PW	38	‡	F6273C-11M
							Glass	FGF7781-11I	8HS	38	‡	FGF7781-11I
3900	350	120	400	330	10	24	Carbon	T800S-24K	UD	60, 36, 24, 12, 6, 3, 0.5, 0.25, 0.125	‡	P2362W-19
							Carbon	T830H-6K	PW	60, 38, 12, 9	‡	FM6673G-37KL
							Carbon	T400H-3K	PW	38	-	FJ6361F-30HT
							Carbon	T700G-12K	PW	38	-	F6273-30K
							Carbon	T300-6K	5HS	40	-	F6655B-30H
							Glass	108	PW	39	-	FGF108-29M
							Glass	7781	8HS	38	-	FGF7781-29E
3960	350	120	385	330	40	24	Carbon	T1100G-24K	UD	39,36,24,12,6, 0.5, 0.25	-	P173EBN-19
							Carbon	T1100G-12K	UD	39,36,24,12,6, 0.5, 0.25	-	P173E0N-7
							Carbon	T1100G-12K	PW	38	-	FT62YER-3EI

*: Other widths available

†: AGATE B-basis allowable database <http://www.niar.wichita.edu/agate/Documents/default.htm>

‡: CMH-17 B-basis allowable database. CMH-17 allowables expected for release soon.

For more information or purchasing inquiries:
sales@toraycma.com | www.toraycma.com | 253-846-1777

UNIT CONVERSIONS

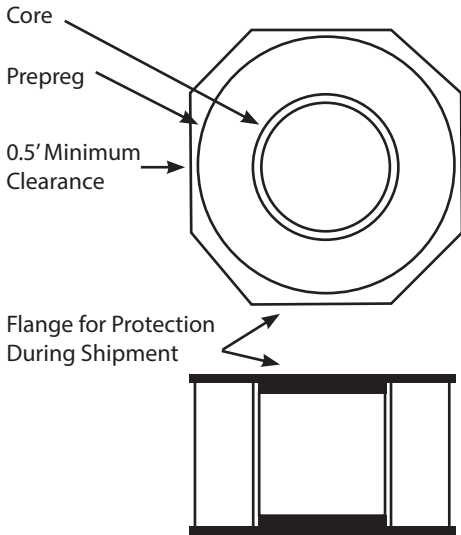
RESIN NAME	FIBER TYPE	FIBER STYLE	WEAVE	BASE WIDTH (INCHES)	PART #	CONVERSION FACTORS						
						SQM	SQFT	LINEAR M	LINEAR FT	LINEAR YD	KG	LBS
2510	Carbon	T700G-12K	UD	39	P707AG-15	1	10.7639	1.0000	3.2808	1.0936	0.2308	0.5088
	Carbon	T700S-12K	PW	38	F6273C-07M	1	10.7639	1.0361	3.3991	1.1330	0.3328	0.7336
	Glass	7781-558	8HS	38	FGF7781-07I	1	10.7639	1.0361	3.3991	1.1330	0.4742	1.0454
2511	Carbon	T700G-12K	UD	39	P711AG-15	1	10.7639	1.0000	3.2308	1.0936	0.2308	0.5088
	Carbon	T700S-12K	PW	38	F6273C-11M	1	10.7639	1.0363	3.3998	1.1333	0.3328	0.7336
	Glass	FGF7781-11I	8HS	38	FGF7781-11I	1	10.7639	1.0267	3.3684	1.1228	0.4742	1.0454
3900	Carbon	T800S-24K	UD	60	P2362W-19	1	10.7639	0.6494	2.1404	0.7101	0.2961	0.6528
	Carbon	T830H-6K	PW	60	FM6673G-37KL	1	10.7639	0.6562	2.1528	0.7176	0.3267	0.7202
	Carbon	T400H-3K	PW	38	FJ6361F-30HT	1	10.7639	1.0363	3.3998	1.1333	0.3063	0.6754
	Carbon	T700G-12K	PW	38	F6273-30K	1	10.7639	1.0363	3.3998	1.1333	0.3217	0.7091
	Carbon	T300-6K	5HS	40	F6655B-30H	1	10.7639	0.9852	3.2324	1.0775	0.5460	1.2038
	Glass	108	PW	39	FGF108-29M	1	10.7639	1.0101	3.3140	1.1047	0.0819	0.1805
	Glass	7781	8HS	38	FGF7781-29E	1	10.7639	1.0363	3.3998	1.1333	0.4455	0.982
3960	Carbon	T1100G-24K	UD	39	P173EBN-19	1	10.7639	1.0091	3.3106	1.1035	0.2887	0.6365
	Carbon	T1100G-12K	UD	39	P173E0N-7	1	10.7639	1.0091	3.3106	1.1035	0.1053	0.2321
	Carbon	T1100G-12K	PW	38	FT62YER-3EI	1	10.7639	1.0363	3.3998	1.1333	0.3161	0.6969

For more information or purchasing inquiries:
sales@toraycma.com | www.toraycma.com | 253-846-1777

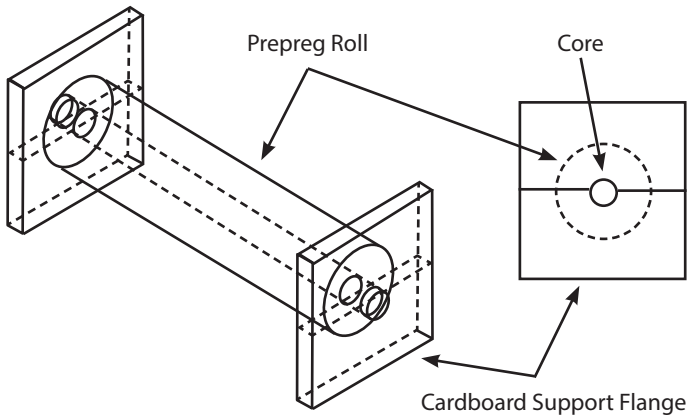
PACKAGING GUIDE

- Rolls are vacuum sealed in clean, non-contaminating, 0.006-inch minimum thickness polyethylene moisture-proof bags.
- Bags contain a desiccant in accordance with MIL-D-3464, Type II.
- A label is located inside the core, to the exterior of the prepreg shipping bag and outside the carton case.
- Attachment of the Purchase order No., date of shipment and copies of the defect log are included per customer requirements.

PACKAGING CONFIGURATION FOR PRODUCTS 12 INCHES OR LESS IN WIDTH



PACKAGING CONFIGURATION FOR PRODUCTS GREATER THAN 12 INCHES IN WIDTH



For more information or purchasing inquiries:
sales@toraycma.com | www.toraycma.com | 253-846-1777